

Accessories

Slat roof Lamaxa L60/L70

Window awnings with easyZIP guidance

Fixing: integrated in the crossbeam, guide rail
integrated in the posts

Position: possible in every four fields

The window awnings with easyZIP guidance are preassembled at the factory. The unit(s) must only be connected and programmed.

The wiring for this is already prepared in the slat roof.

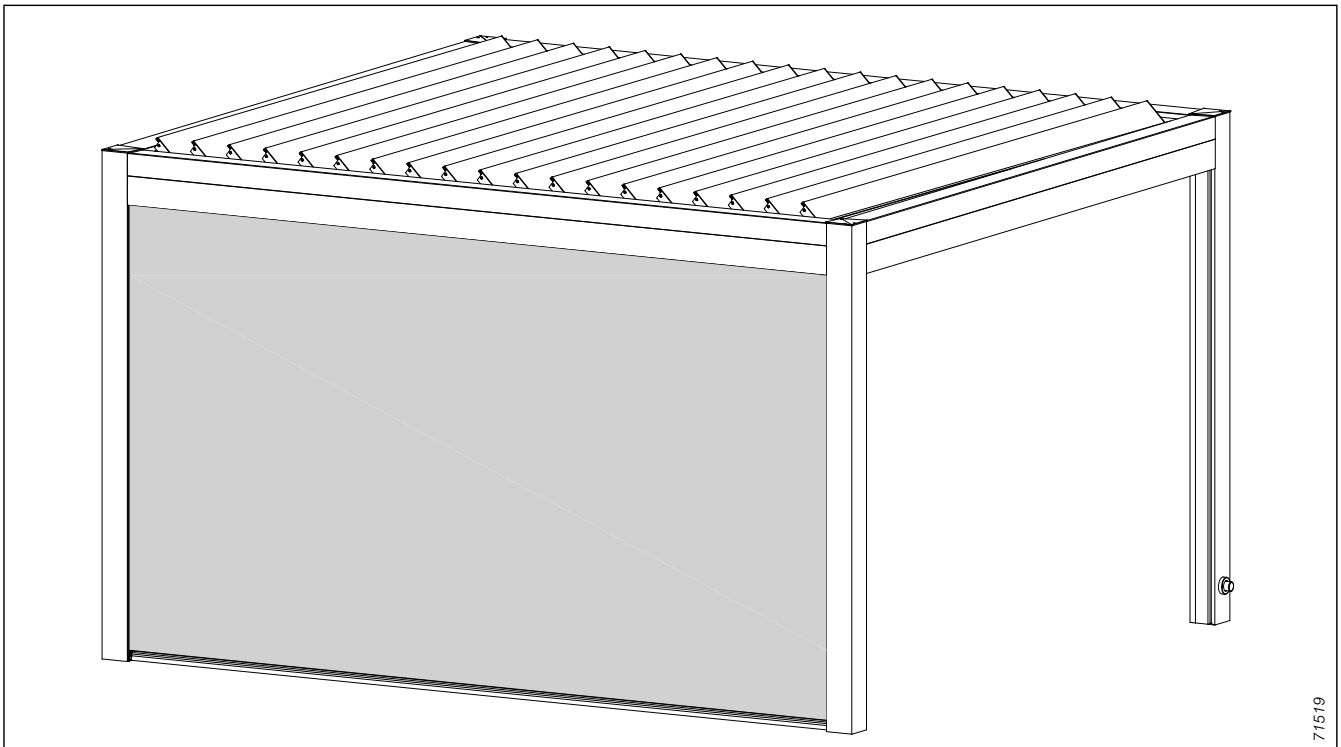


fig. 50:L60 and window awning with easyZIP guidance

71519

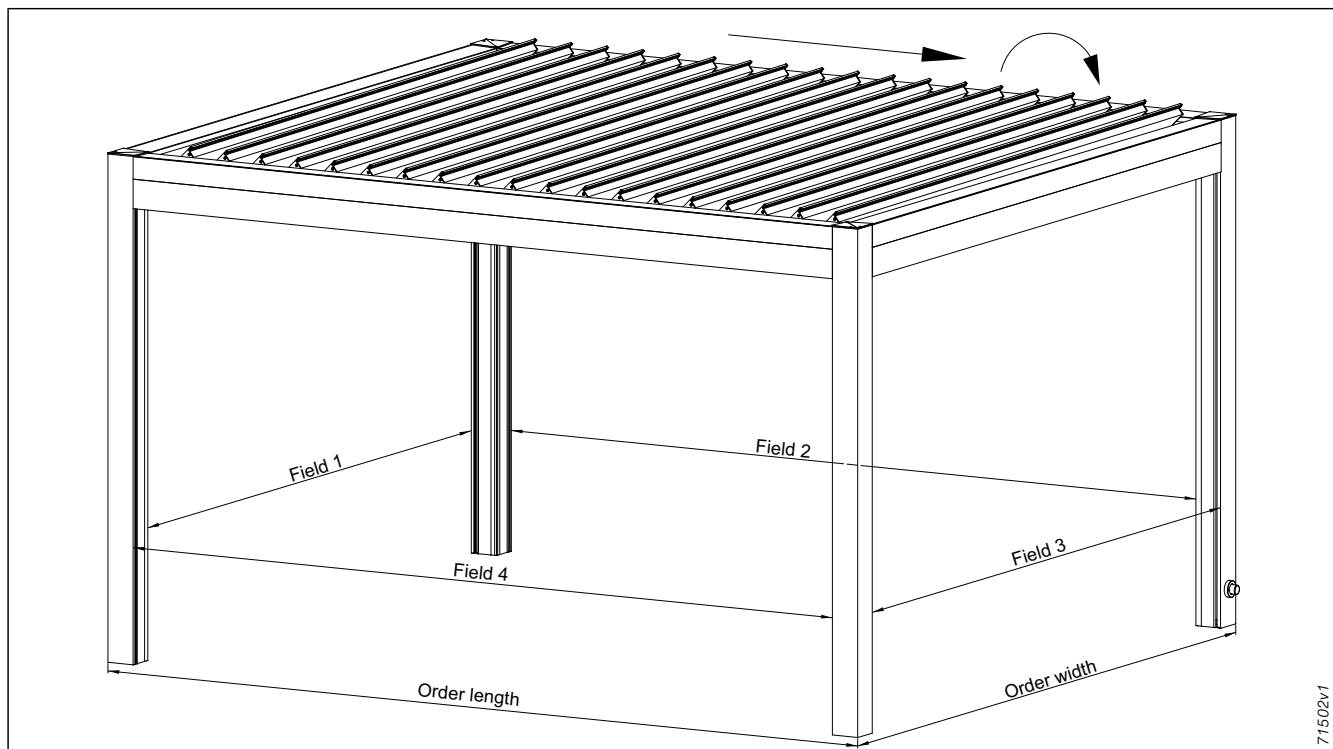


fig. 51: Arrangement for slat roof L60/L70 accessories

Integration of LED strips in the crossbeams with tilting mechanism

- only possible in pairs
- can be selected as direct and/or indirect lighting

Integration of LED strip in the post

- only possible in pairs per field (for details see Fig. 51)
- in the insides of the posts

Number of channels and dimmers depending on the equipment

Equipment	Number of channels	Number of dimmers	Minimum requirement of the on-site connection
Tilt (L60)	1 channel	-	230 VAC / 16 A (3x2.5 mm ²)
Tilt and move (L70)	1 channel	-	230 VAC / 16 A (3x2.5 mm ²)
Window awning with easyZIP guidance	1 channel per unit	-	230 VAC / 16 A (3x2.5 mm ²)
LED lighting in crossbeam with tilting mechanism - direct	1 channel	1 dimmer	230 VAC / 16 A (3x2.5 mm ²)
LED lighting in crossbeam with tilting mechanism - indirect	1 channel	1 dimmer	230 VAC / 16 A (3x2.5 mm ²)
LED lighting in post (regardless of number of fields)	1 channel	1 dimmer	230 VAC / 16 A (3x2.5 mm ²)
Radiant heater	1 channel	-	3x 230 VAC / 16 A (5x2.5 mm ²)
Power socket	-	-	3x 230 VAC / 16 A (5x2.5 mm ²)
Radiant heater and power socket	1 channel	-	3x 230 VAC / 16 A (5x2.5 mm ²)

Please note when selecting hand-held transmitters that further channels are necessary for possible retrofitting. When using further electric power consumers, an on-site connection of 3x 230 VAC / 16 A is necessary.

Example:

L70 with two window awnings with easyZIP guidance, LED lighting in the crossbeam with tilting mechanism (direct) and a power socket. The equipment is operated via 4 channels.

Accessories

Slat roof Lamaxa L60/L70

Sliding glass elements

Type: SL20 from Solarlux

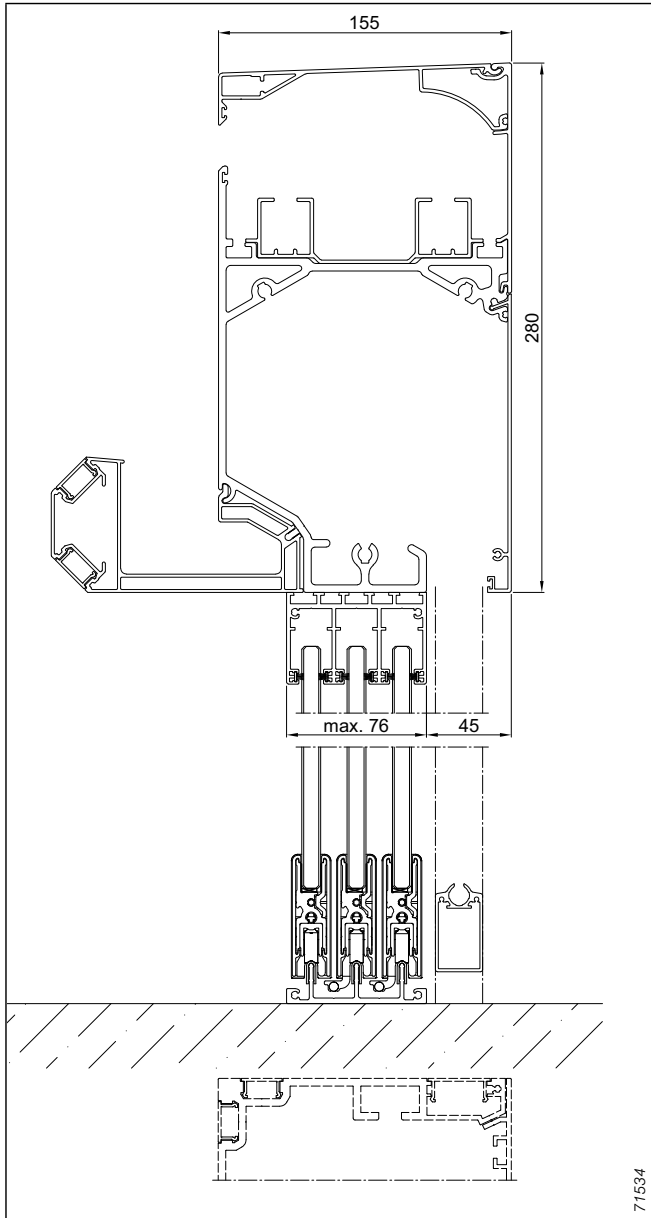


fig. 52: Sliding glass elements SL20

The sliding glass elements SL20 from Solarlux, for example, can be used as lateral glazing. Glazing including handles may not be larger than 76 mm. Here it must be noted that a load transfer via the crossbeam is not possible. For further information, please contact Angebot@Solarlux.de

Accessories

Slat roof Lamaxa L60/L70

Integrated lighting

Lighting from LED strips integrated into the posts and/or the crossbeams with tilting mechanism at the factory.

Operation: possible with WMS transmitter, dimmable

Voltage: 24 V

Degree of protection: LED strips and WMS Dimmer smart

Max. power: 400 lm/m, 4.8 W/m

Colour temperature: 2900-3400 Kelvin

Connection: mains connection inside the slat roof. Connecting line preassembled at the factory.

Durability: approx. 10000 operating hours

Attachment: optionally in the insides of the posts or in the crossbeams with tilting mechanism as direct or indirect lighting

The LED strips are assembled in increments of 100 mm. This can lead to an unlit area of max. 150 mm per field/crossbeam.



fig. 53: Integrated lighting in the crossbeams with tilting mechanism – direct

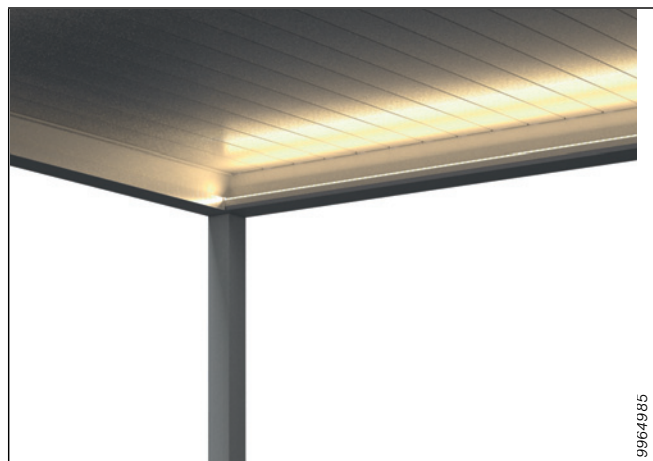


fig. 54: Integrated lighting in the crossbeams with tilting mechanism – indirect



fig. 55: Integrated lighting in posts in field 1 and field 2

Accessories

Slat roof Lamaxa L60/L70

Radiant heater

Infrared quartz technology with Philips gold tube

Dimensions (WxHxL): 100x390x108 mm

Surface: Housing: powder-coated

Colour: RAL 9006 white aluminium, satin finish,
RAL 9016 traffic white, satin finish,
RAL 9005 jet black, satin finish

Operation: Optionally with WMS radio remote control

Power: 1500 W

Voltage: 230 V

Degree of protection: IPx4

Connection: mains connection inside the slat roof.
Connecting line preassembled at the factory.

Please note that in the lighting area the minimum distance to flammable materials must be at least 1000 mm.

The radiant heater is only suitable for outdoor use.

Please observe the safety instructions in the installation and operating instructions.

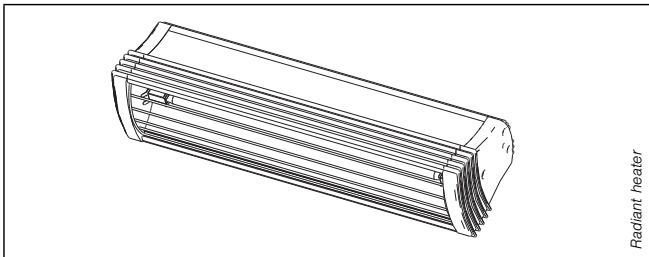


fig. 56: Radiant heater

A maximum of 2 radiant heaters are possible per slat roof.

Scope of delivery

- Radiant heater

Power socket

Colour: aluminium

Height: 180 mm

Post: in electric posts

Position in post: on the outside opposite the connection side

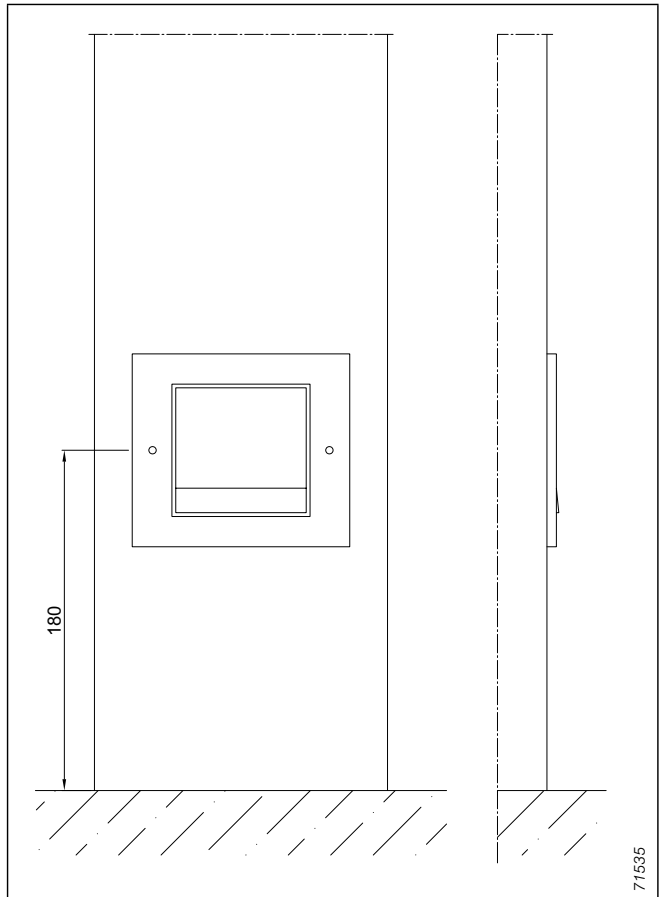


fig. 57: Power socket with hinged cover

Construction limit values

Slat roof Lamaxa L60/L70

Accessories

Window awnings with easyZIP guidance

Construction limit values in mm

	Type of fabric	Individual unit
		Motor ¹⁾
Min. width	Acrylic – all qualities (processed crosswise)	750
	Screen fabric	750
Max. width	Acrylic – all qualities (processed crosswise)	6000 ²⁾
	Screen fabric	6000
Min. height	Acrylic – all qualities (processed crosswise)	950
	Screen fabric	950
Max. height³⁾	Acrylic – all qualities (processed crosswise)	2900 ³⁾
	Screen fabric	2900
Max. area (m²)	Acrylic – all qualities (processed crosswise)	17.40
	Screen fabric	17.40

¹⁾ only possible with motor drive, no crank drive

²⁾ All Weather acrylic fabric only available up to 4000 mm

³⁾ Acrylic fabric – processed lengthwise (stripe designs) – up to 4000 mm width

Attention:

- Only individual units with motor drive possible!
- For the stated construction limit values, all acrylic fabrics are processed crosswise.